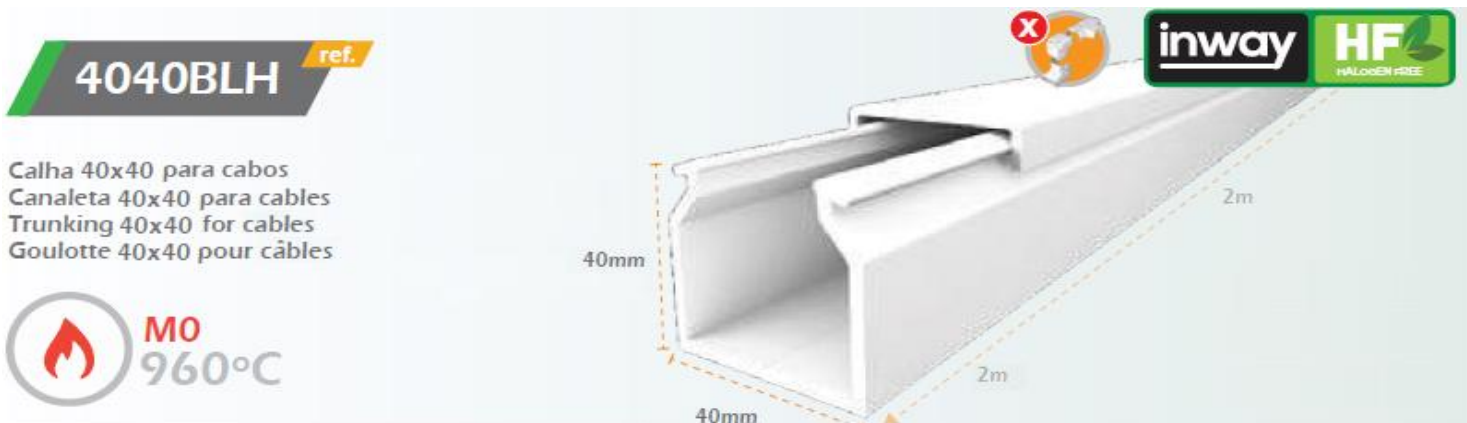


Product: Trunking system for cables _ Halogen Free

Reference: 4040BLH



Ref.	Dim. Ext. (mm)	Dim. Int. (mm)	Área (S)(mm)	Área Útil (Su) (S): 1.2(mm)	Diam. Máx.	Cabo 1,5 mm	Cabo 2,5 mm	Cabo 4 mm	Cabo 6 mm	UTP CAT5e	UTP CAT6e	RG-6
4040BLH	40x40	35x35,5	1600	1200	35	80	55	42	25	20	20	15

PRODUCT CHARACTERISTICS

Type of Material	PC/ABS	Colors	White / Black
Fixation	Screw	Electrical continuity	Without electrical continuity
Resistance to impact	20J	Electrical insulating	With electrical insulating
Operating temperature	-15°C +90°C	Chemical properties	With high protection
Flame propagation	Non-flame propagating	Cover retention	Only opened with a tool
IP	41 (IP40 w/ switches)	Protective separation	With or without
IK	10	Installation	Wall and floor
Rated voltage	515 V	Others	UV resistant
REACH and RoHs compliant			Halogen free
	Class MO -960°C GW		Halogen free

EN60754-2;2014

PRODUCT CHARACTERISTICS

EN 50085- Cable trunking systems and cable ducting systems for electrical installations

EN 60695 - Fire hazard testing

EN 60754-2;2014 - Halogen content