

# CMP2 - Crimping Tool

For Insulated Terminals

**• Material:**

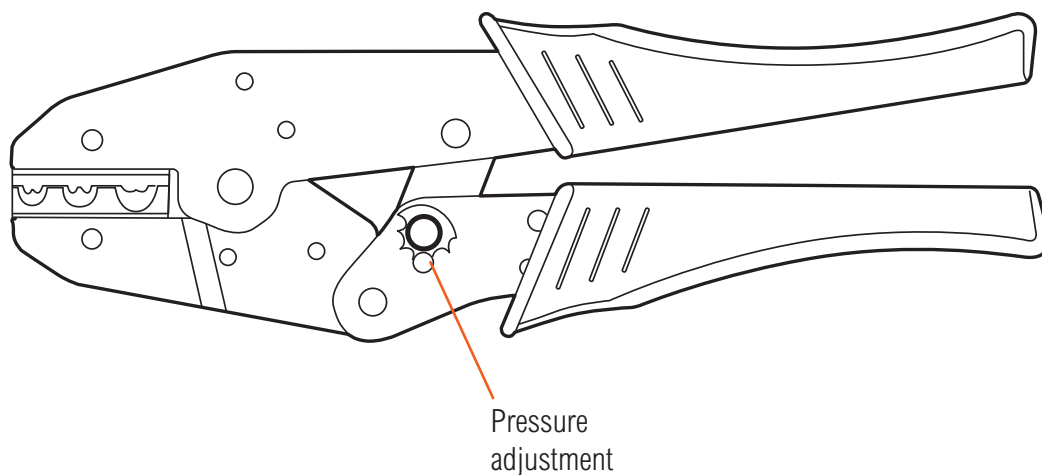
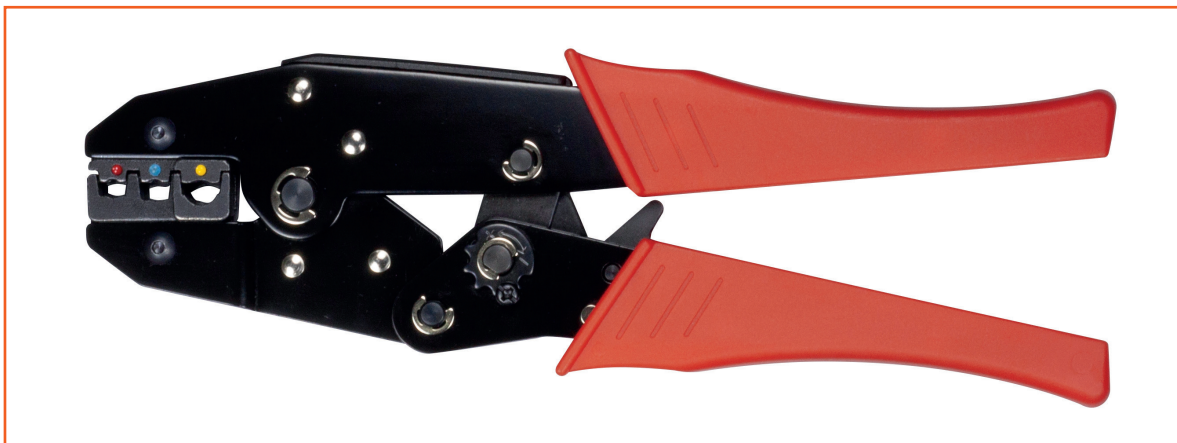
- Main body: S45C (HRC 43-47).
- Surface treatment: Electroplating.
- Die material: SCM440 (HRC 42).
- Die surface: Black oxide.
- Handles: Polypropylene.

**• Colour:**

Red & Black.

**• Features:**

- High strength through hardened steel.
- Anti-slipping handles.
- Pressure adjustable tensioner.
- Replaceable jaws.



Item No.	Terminal Type	Crimping Range (mm <sup>2</sup> )	Weight (kgs)	L (mm)	Handle Colour
CMP2	Insulated	0.5 - 6.0	0.6	230	Red