

Cable Termination

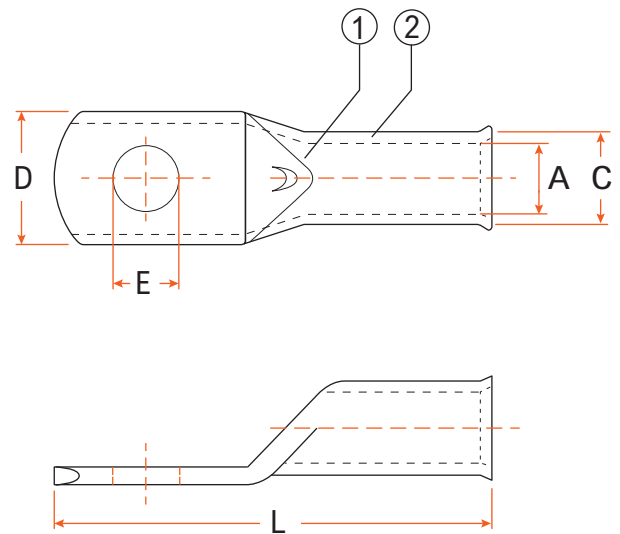
Cable Lug Terminals

• Materials:

Terminal body: Copper.
Plating: Bright electro tin.

**• Features:**

Excellent corrosion resistance and conductivity.
Bell mouth for easy cable entry.
Used for terminating onto studs or bolts for heavy duty applications.
Terminal has an inspection hole to ensure cable is fully inserted.

**Material**

- ① Copper
- ② Bright electro tin

See product technical table
on next page

Cable Termination

Cable Lug Terminals

Item No.	Wire Range (mm ²)	Stud Hole E (mm)	Dimensions (mm)			
			A	C	D	L
R4 - 6	4	6.5	3.1	4.8	10	20
R6 - 4	6	4.2	3.8	5.5	10	23
R6 - 5	6	5.2	3.8	5.5	10	23
R6 - 6	6	6.5	3.8	5.5	10	24
R6 - 8	6	8.2	3.8	5.5	12	24
R6 - 10	6	10.5	3.8	5.5	15	27
R10 - 5	10	5.2	4.5	7.1	11	25
R10 - 6	10	6.5	4.5	6.2	11	25
R10 - 8	10	8.2	4.5	6.2	12	27
R10 - 10	10	10.5	4.5	7.1	15	35
R10 - 12	10	12.7	4.5	7.5	15	35
R16 - 5	16	5.2	5.4	7.0	12	30
R16 - 6	16	6.5	5.4	7.0	12	32
R16 - 8	16	8.2	5.4	7.0	12	32
R16 - 10	16	10.5	5.4	7.0	15	40
R16 - 12	16	12.7	5.4	7.0	17	40
R25 - 6	25	6.5	6.8	8.8	13	30
R25 - 8	25	8.2	6.8	8.8	13	30
R25 - 10	25	10.5	6.8	8.8	15	30
R25 - 12	25	12.7	6.8	8.8	16	30
R35 - 6	35	6.5	8.2	10.2	16	35
R35 - 8	35	8.2	8.2	10.2	16	35
R35 - 10	35	10.5	8.2	10.2	16	35
R35 - 12	35	12.7	8.2	10.2	18	42
R50 - 6	50	6.5	9.5	12.0	18	49
R50 - 8	50	8.2	9.5	12.0	18	43
R50 - 10	50	10.5	9.5	12.0	18	43
R50 - 12	50	12.7	9.5	12.0	20	43
R50 - 14	50	14.7	9.5	12.0	21	43
R50 - 16	50	17.0	9.5	12.0	21	43
R70 - 6	70	6.5	11.2	14.5	21	50
R70 - 8	70	8.2	11.2	14.5	21	50
R70 - 10	70	10.5	11.2	14.5	21	50
R70 - 12	70	12.7	11.2	14.5	21	50
R70 - 14	70	14.7	11.2	14.5	22	50

Cable Termination

Cable Lug Terminals

Item No.	Wire Range (mm ²)	Stud Hole E (mm)	Dimensions (mm)			
			A	C	D	L
R70 - 16	70	17.0	11.2	14.5	26	57
R95 - 8	95	8.2	13.5	17.0	25	60
R95 - 10	95	10.5	13.5	17.0	25	55
R95 - 12	95	12.7	13.5	17.0	25	55
R95 - 14	95	14.7	13.5	17.0	25	55
R95 - 16	95	17.0	13.5	17.0	25	55
R120 - 8	120	8.2	15.0	19.0	28	60
R120 - 10	120	10.5	15.0	19.0	28	60
R120 - 12	120	12.7	15.0	19.0	28	60
R120 - 14	120	14.7	15.0	19.0	28	60
R120 - 16	120	17.0	15.0	19.0	28	60
R150 - 8	150	8.4	16.5	21.0	30	69
R150 - 10	150	10.5	16.5	21.0	30	69
R150 - 12	150	12.7	16.5	21.0	30	69
R150 - 14	150	14.7	16.5	21.0	30	69
R150 - 16	150	17.0	16.5	21.0	30	69
R150 - 20	150	21.0	16.5	21.0	30	69
R185 - 10	185	10.5	18.5	23.0	34	78
R185 - 12	185	12.7	18.5	23.0	34	78
R185 - 14	185	14.7	18.5	23.0	34	78
R185 - 16	185	17.0	18.5	23.0	34	78
R185 - 20	185	21.0	18.5	23.0	34	78
R240 - 10	240	10.5	21.5	26.0	38	92
R240 - 12	240	12.7	21.5	26.0	38	92
R240 - 14	240	14.7	21.5	26.0	38	92
R240 - 16	240	17.0	21.5	26.0	38	92
R240 - 20	240	21.0	21.5	26.0	38	92
R300 - 10	300	10.5	23.5	29.0	43	101
R300 - 12	300	12.7	23.5	29.0	43	101
R300 - 14	300	14.7	24.0	29.0	43	101
R300 - 16	300	17.0	24.0	29.0	43	101
R300 - 20	300	21.0	23.5	29.0	43	101
R400 - 12	400	13.0	28.5	36.0	53	114
R400 - 14	400	14.7	28.5	36.0	53	114
R400 - 16	400	17.0	28.5	36.0	53	114

Cable Termination

Cable Lug Terminals

Item No.	Wire Range (mm ²)	Stud Hole E (mm)	Dimensions (mm)			
			A	C	D	L
R400 - 20	400	21.0	29.0	36.0	53	114
R500 - 12	500	13.0	30.0	36.0	56	124
R500 - 14	500	14.7	30.0	36.0	56	124
R500 - 16	500	17.0	30.0	36.0	56	124
R500 - 20	500	21.0	30.0	36.0	56	124
R630 - 12	630	13.0	35.0	45.0	64	144
R630 - 14	630	14.7	35.0	45.0	64	144
R630 - 16	630	17.0	35.0	45.0	64	144
R630 - 20	630	21.0	35.0	45.0	64	144