



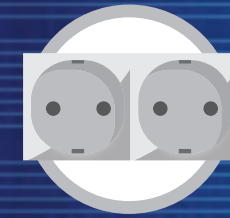
10054B

ref.

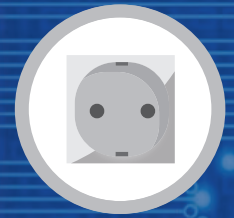
100x54 - DOUBLE WALL



Direct click
install !

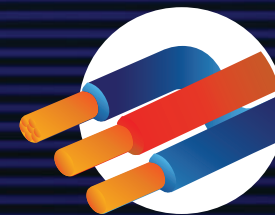


45X90



45X45

IMPROVED DESIGN
INTERNAL WALLS REINFORCED

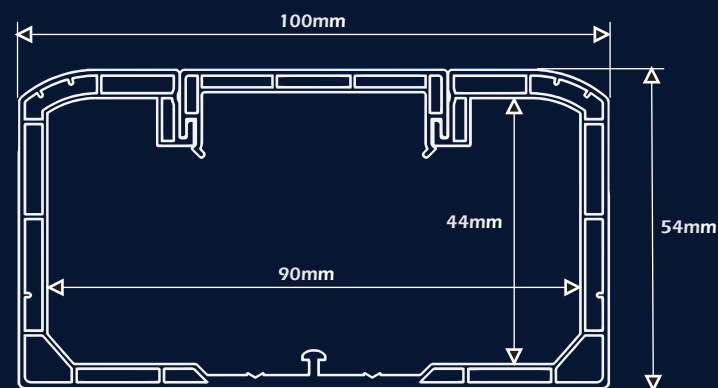
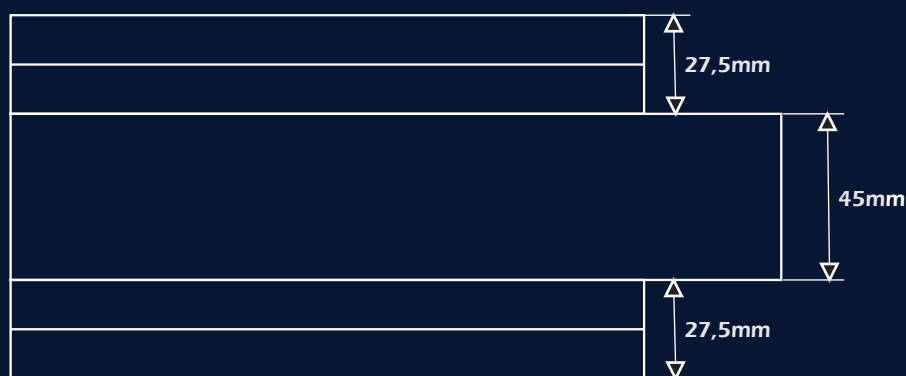


TO USE WITH:
CABLES, SWITCHES
& SOCKETS

IMPROVED DESIGN

INTERNAL WALLS REINFORCED

TECHNICAL DIMENSIONS



Ref.	Ext. Dim. (mm)	Int. Dim. (mm)	Área (S)mm ²	WorkÁrea (Su)(S):1.2(mm) ²	Máx. Área	Max N° Cables 1,5 mm	Max N° Cables 2,5 mm	Max N° Cables 4 mm	Max N° Cables 6 mm	UTP CAT5e	UTP CAT6e	RG-6
10054B	100x54	2x(37x44)	3250	2100	37	232	146	104	88	62	54	28



Thermoplastic



White - Black



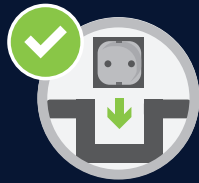


Compatible with All JSL 45x45 and 45x90 and universal mosaic type sockets

ADVANTAGES



Pressure application



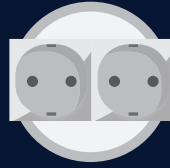
Directly Receives
Switches & Sockets



Fixing by screws



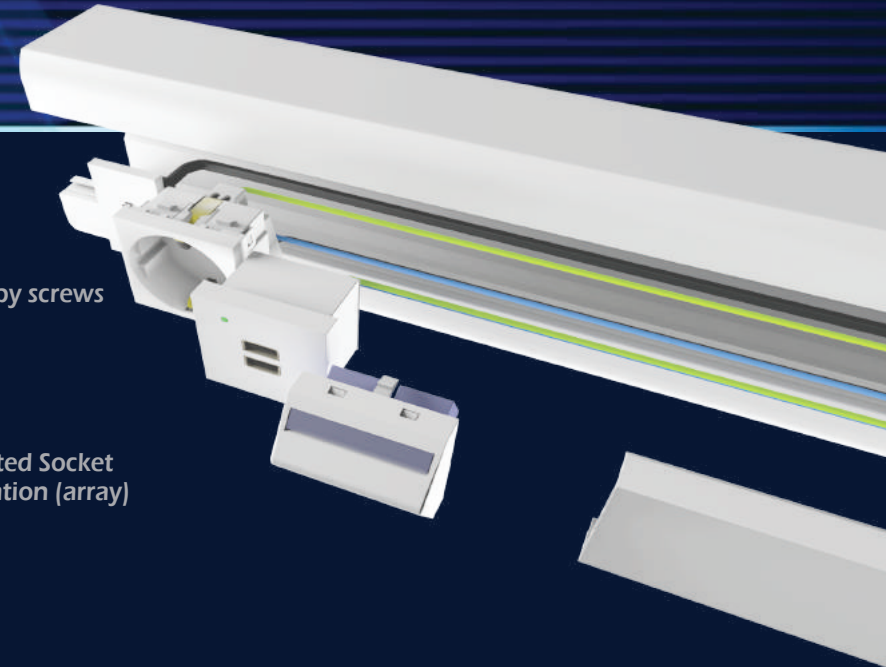
45x45 Type Mosaic



90x45 Type Mosaic



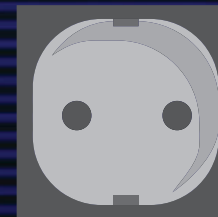
Unlimited Socket
Installation (array)



SCAN + INFO

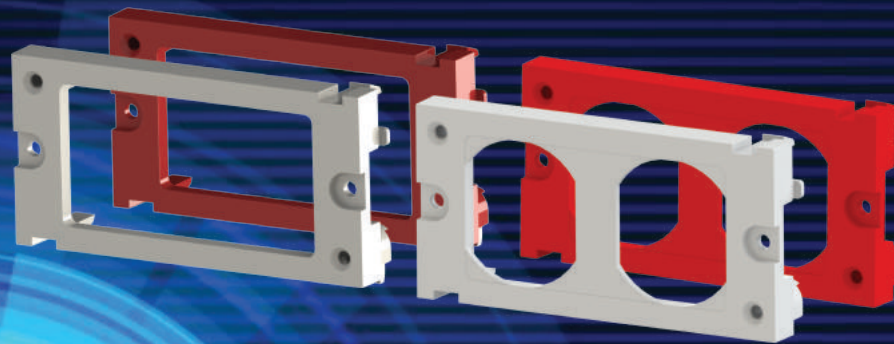


1 CLICK
DONE!

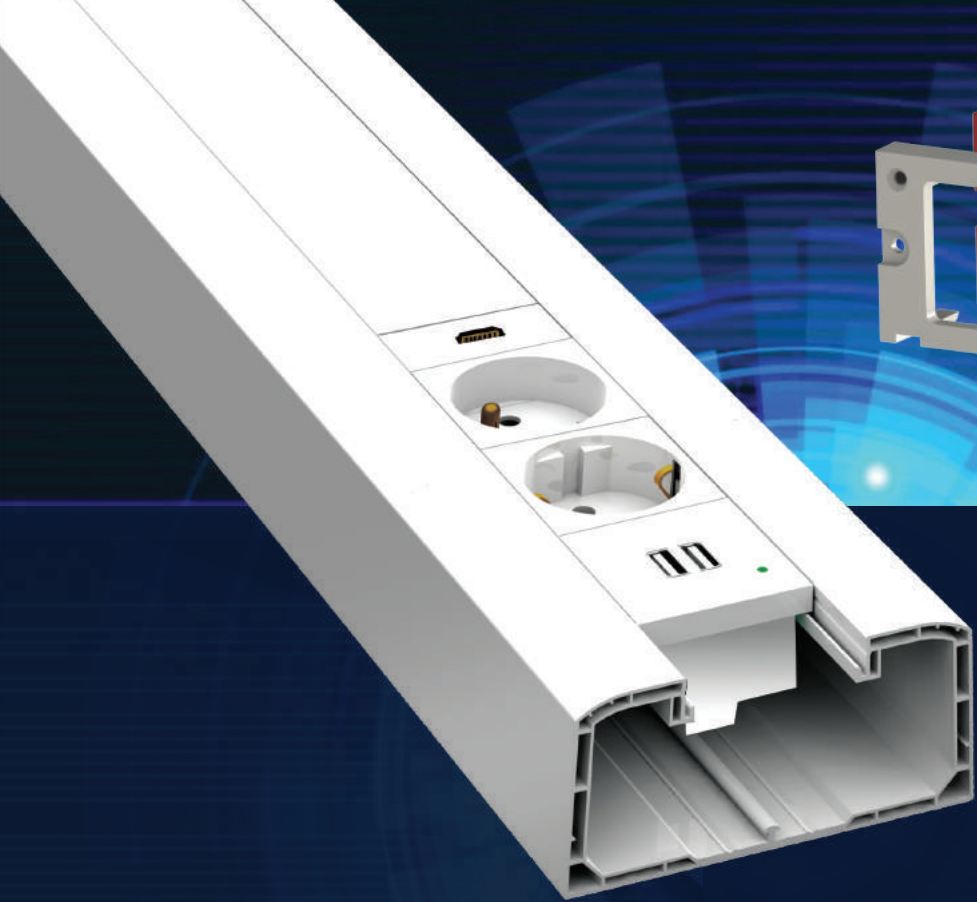


DIRECT FIT
WITHOUT
ACCESSORIES

Accessory for Nema Type Sockets



Fixing with Metal Claws



10054B

ref.

COMPLETE RANGE OF FINISHING PIECES



Accessories sold separately

END CAP



80°-98°

Trunking installation amplitude between 80° and 98°

COUPLER

INTERNAL BEND

TEE

FLAT ANGLE

EXTERNAL BEND

Trunking installation amplitude between 80° and 120°

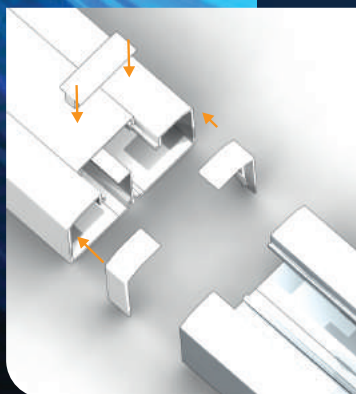


80°-120°

ref. S10040



Spacer



Raw material : PVC

Installation type:

Concealed/surface-mounted electrical

installation trunking on walls in both vertical and horizontal positions.

Fixation and installing: Fixation on the substrate with plugs and fasteners

According EN Standards EN 50085-1(2005) e EN 50085-2-1(2007)

Accessories range:

Internal bend 90°, Flatt Bend bend 90°, External bend 90°,

Coupler for Base and Coupler for cover, Tee derivation and End Cap.

Minimum installation and application temperatures -5° C

Minimum storage and transport temperatures: -25°

Maximum application and use temperatures: +60°

Flame retardant (Class M0)

Protection against ingress of water and solid foreign bodies : IP40

Electrical installation duct systems for impact energy 02J (IK07)

Opening mode:

Only open the trunking cover of the electrical installation trunking system with tools

Insulation properties, electrical installation trunking system without electrical conductivity

Classification according the use of the trunking: Type 3

Permissible Tension : 515 V

Classification regarding internal separation elements: Electrical installation trunking systems with possible internal protection separation element.

According REACH and RoHs Directives

Compatible with all the appliances series on format 45x45 MOSAIC* type (from all manufacturers)

