

**JSL**  
Material Eléctrico

# TRUNKING 100x54

## TECHNICAL CABLE TRUNKING SYSTEM



**100% HALOGEN FREE SOLUTION**

**NEW**

 **WHITE**



**INTERNAL WALL STRUCTURE REINFORCED**

### STRONGER THAN EVER!

Adaptable and innovative, ready to receive 45x45 / 45x90 switches and sockets directly, without the need of adicional fixing accessories.

There are also accessories available for installing NEMA American switches and sockets (45x90).

This Trunking System is produced with 100% halogen free RAW materials.

**IP 40**

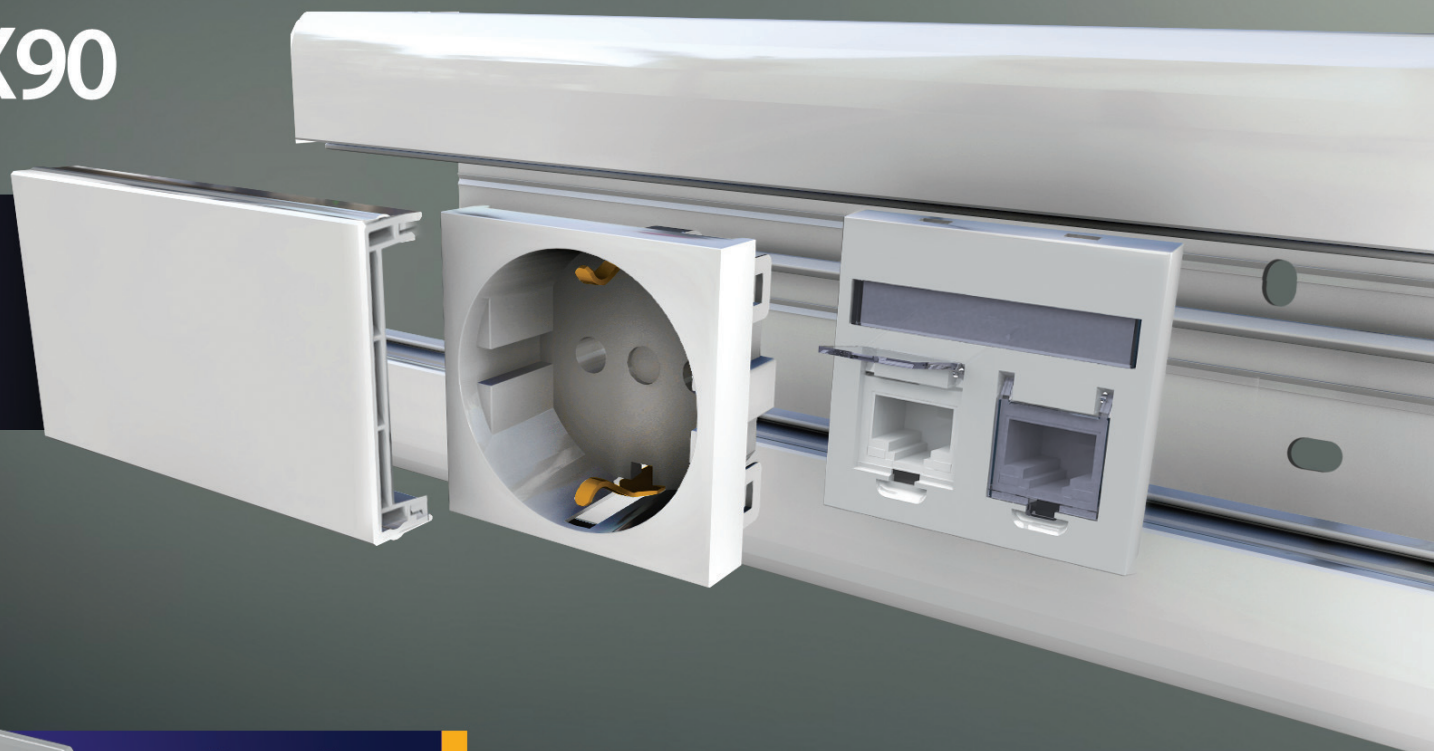
**IK 10**

 **M0**  
960°C

**inway**  
Kanal System

 **45X45**  **45X90**

**DIRECT FIT  
WITHOUT  
ACCESSORIES**



**1 CLICK  
DONE**

**BUILDING THE FUTURE AROUND THE WORLD**  
[WWW.JSL-ONLINE.NET](http://WWW.JSL-ONLINE.NET)

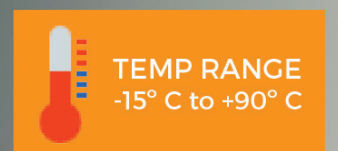


# 100% HALOGEN FREE TRUNKING

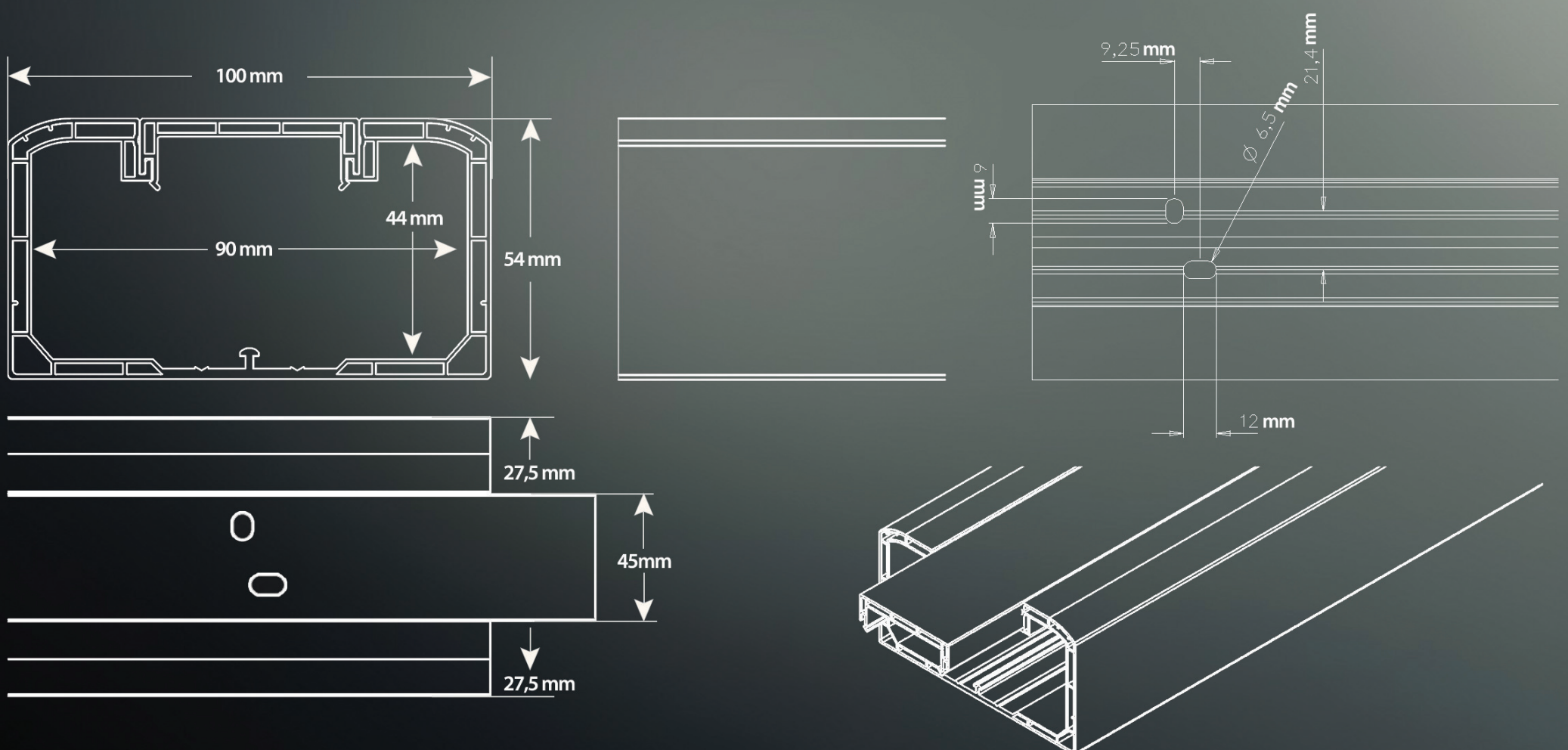
## 100x54 DATASHEET

- Raw material : Type 2, 100% Halogen Free
- Installation type: Concealed/surface-mounted electrical installation trunking on walls in both vertical and horizontal positions.
- Fixation and installing: Fixation on the substrate with plugs and fasteners
- According EN Standards EN 50085-1(2005) e EN 50085-2-1(2007)
- Accessories range: Internal bend 90 °, Flatt Bend bend 90 °, External bend 90 °, Coupler for Base and Coupler for cover, Tee derivation and End Cap.
- Electrical installation duct systems for impact energy 20 J (IK10)
- Minimum installation and application temperatures -15 °C  
Minimum storage and transport temperatures: -25 °C  
Maximum application and use temperatures: +90 °C
- Flame retardant (Class M0)
- Protection against ingress of water and solid foreign bodies : IP40
- Opening mode: Only open the trunking cover of the electrical installation trunking system with tools
- Insulation properties, electrical installation trunking system without electrical conductivity
- Classification according the use of the trunking: Type 3
- Permissible Tension : 515 V
- Classification regarding internal separation elements: Electrical installation trunking systems with possible internal protection separation element.
- According REACH and RoHS Directives
- Compatible with all the appliances series on format 45x45 MOSAIC\* type (from all manufacturers)

\*MosaicTM is a registered trademark of Legrand.



### TECHNICAL DIMENSIONS



BUILDING THE FUTURE AROUND THE WORLD  
[WWW.JSL-ONLINE.NET](http://WWW.JSL-ONLINE.NET)

