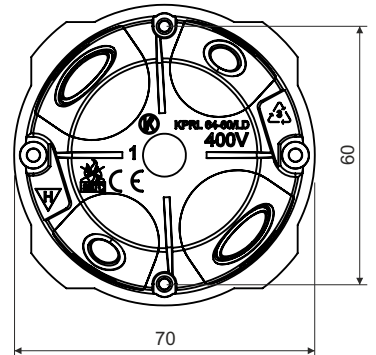
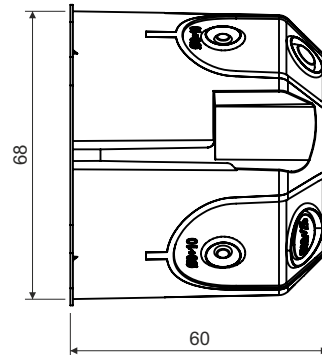


KPRL 64-60/LD



product description:

designed for distribution system with voltage 400 V and with maximum current 16 A
 designed for mounting into hollow walls (eg. walls of plasterboard)
 inlet openings made of flexible material
 marked inputs for sealing cables and pipes in the flexible material (4x 6-10 mm, 2x 10-16 mm, 2x 20-25 mm)
 air-tightness even with inserted cable or pipe
 suitable for low energy and passive houses
 prevents airflow through the installation
 mounting screws with plastic foot are fitted with a twin self-tapping thread for quick installation
 instrument screws are tightened below the edge of the box
 extended edge situated for easy overlay installed device
 when mounting, it is not necessary to countersink the plasterboard edge
 possibility to insert screwless terminals
 when using box with the cover V 68, the IP protection is IP30

material: PVC (Pb Free)

color: yellow

self-snuffing: yes, within 30 s

temperature resistance: -5 - +60 °C

flaming loop test: 850 °C

fire class for underlying material: A1-F

weight: 31 g

certification: EN 60 670-1

storage: ČSN 64 0090

configuration: NA - boxes fitted with screws for mounting into double wall and device screws - package: 84 pcs in boxes

accessories: cover V 68
 screwless terminal plates TYP015, TYP016, TYP017, TYP018

auxiliary tools: saw-drill VPT 64
 universal carrier VPTU